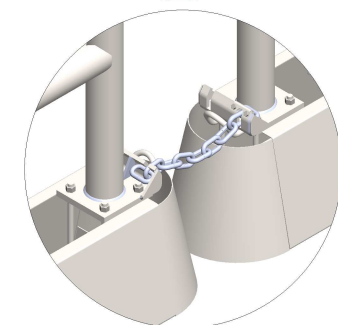
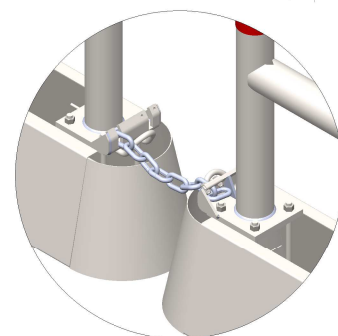


### Heavy Duty Pedestrian Barrier 2,8m

- Robust steel construction with concrete ballast.
- Joint together by steel chain
- Used in Road works, excavations etc.
- Comes delivered with reflexive labels on top frame and Chain
- Customized reflexive labels on request.
- Whole construction is Hot dip galvanised
- more info on [www.worxsafe.com](http://www.worxsafe.com)

Weight: 410kg

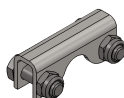
Spare parts:



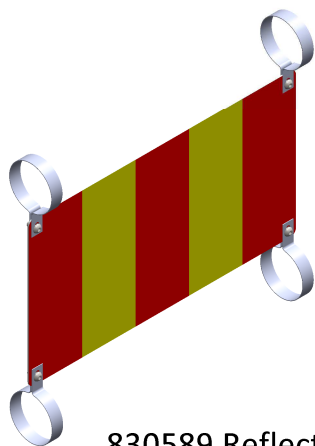
Easy & fast anchoring by chain



830571 Chain 0,5m



830570 Chain lock



830589 Reflective label kit including assembly parts. available in different colours.



830564 Reflective label y



830565 Reflective label r